

***FISHMAN***<sup>®</sup>

---

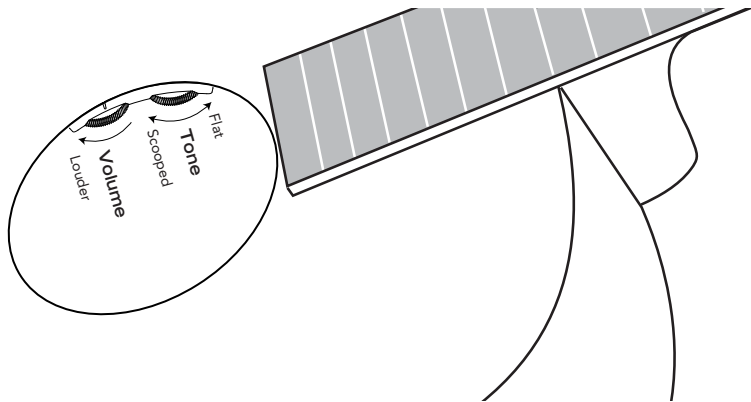
USER GUIDE  
MX-T ONBOARD PREAMP

[fishman.com](http://fishman.com)

# Controls

---

**Plug In** • Connect the MX-T to your amplifier or PA with a ¼-inch instrument cable. To conserve battery life, remove the instrument cable from the guitar when the system is not in use.



# Controls

---

**Volume** • For the cleanest noise-free sound, set the volume as high as possible without causing your amp or mixer to distort.

**Tone** • This innovative one-knob tone control lets you adjust between the natural undersaddle sound with no EQ (flat) and a variable “Scooped” tone with emphasized bass & treble and reduced midrange.

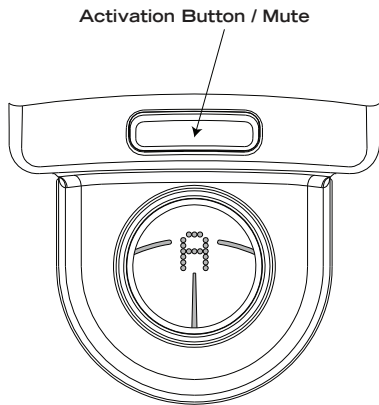
- To make individual notes sound thicker and punchier, roll the Tone control to the right.
- Try the Tone control in the middle position for fingerpicking, when you need just a bit of midrange cut.
- Roll the Tone control all the way to the left for a neutral, unaltered tone.

# Additional Controls

---

## Tuner

The tuner module is mounted inside the soundhole on the pickguard side opposite from the volume and tone module. This Chromatic tuner accommodates all standard and alternate tunings and mutes the output when engaged to allow you to tune the guitar silently. It is calibrated to A = 440 Hz and can be activated without an instrument cable connected. To conserve battery life, the tuner will turn itself off after 90 seconds of inactivity. To activate the tuner, press the rectangular button at the top of the tuner display. To deactivate the tuner and resume output signal to your amp or PA, press the button a second time.



## Additional Controls

---

### Phase Switch

This switch, located on the underside of the control module, can reverse the phase 180 degrees. Use the phase switch to improve bass response at low volume and suppress feedback at high volume.

## Battery Replacement

---

A low battery LED is built into the preamp housing mounted inside the guitar and is visible when viewed through the soundhole. When the Battery LED lights steadily, it is time to change the battery. To replace the battery, remove the old battery from the endblock battery box and replace with a 9-volt Alkaline or Lithium battery

## **FCC Compliance Statement**

Model: 458-200-477

This device complies with Part 15 of the FCC rules. Operation is subject to the following two conditions:

- 1.This device may not cause harmful interference, and
- 2.This device must accept any interference received, including interference that may cause undesired operation

## **FCC Interference Statement**

This equipment has been tested and found to comply with the limits for a Class B digital device, pursuant to Part 15 of the FCC Rules. These limits are designed to provide reasonable protection against harmful interference in a residential installation. This equipment generates, uses, and can radiate radio frequency energy and, if not installed and used in accordance with the instructions, may cause harmful interference to radio communications. However, there is no guarantee that interference will not occur in a particular installation. If this equipment does cause harmful interference to radio or television reception,

which can be determined by turning the equipment off and on, the user is encouraged to try to correct the interference by one or more of the following measures:

- Reorient or relocate the receiving antenna.
- Increase the separation between the equipment and receiver.
- Connect the equipment into an outlet on a circuit different from that to which the receiver is connected.
- Consult the dealer or an experienced radio/TV technician for help.

### **Warning**

Changes or modifications not expressly approved by the party responsible for compliance could void the user's authority to operate the equipment

### **EU Declaration of Conformity CE**

Hereby, Fishman declares that this MXt Onboard Preamp is in compliance with the essential requirements and other relevant provisions of Directive 2014/30/EU. The Declaration of Conformity can be found at [www.fishman.com/support](http://www.fishman.com/support).

***FISHMAN***®

fishman.com